

MOVAX

Side-Grip vibratory pile drivers

SG-30R | SG-40R



**Secure
your excavation**

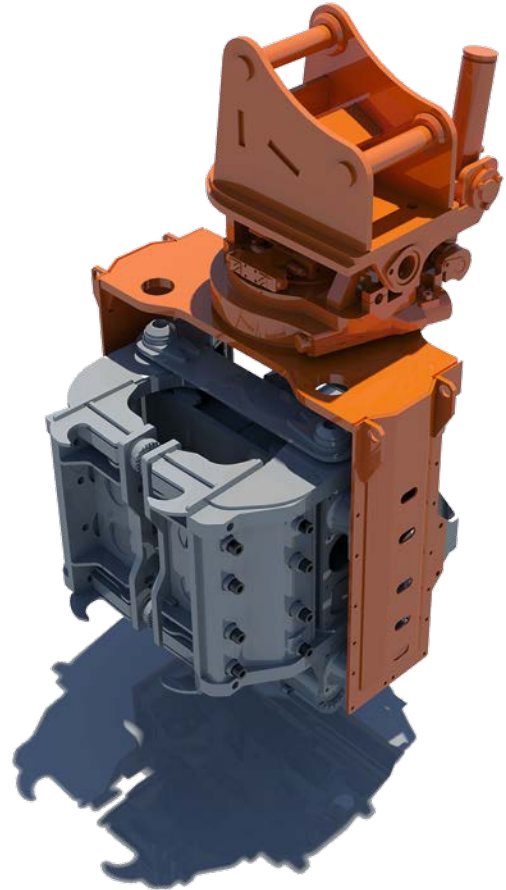
Innovative Piling Technology

SG-30R | SG-40R

The SG-30R and SG-40R models bring Movax Side-Grip technology to the utility sector, especially where work is required to be undertaken by wheeled or small tracked excavators.

Whether the job is installing temporary or permanent retaining walls or cofferdams, tube or H-beam bearing piles, timber piles or trench sheets, the Movax Modular Arm System offers interchangeable insert clamps to quickly convert between pile driving requirements.




Continuous development and the ability to produce insert clamps for most specific requirements will ensure the SG-30R/SG-40R models continue to meet future needs as well.



Technical data

Type	SG-30R	SG-40R
Weight without adapter estimated (kg)	1,850	1,860
Height (mm)	2,021	
Depth (mm)	1,187	
Width (mm)	1,193	
Excavator class (t)	13-16	17-21
Excavator engine power min. (kW)	65	86
Max. return pressure (bar)	5	5
Pressure relief min-max (bar)	300-350	300-350
Frequency max (1/min)	3,000	
Centrifugal force (kN)	300	400
Driving method	vibration	
Swing / tilt angle (°)	360/30	
Oil pump (lubrication)	yes	
Case drain from motor	yes	

Suitable piles

	Sheet piles <ul style="list-style-type: none"> • Width 400-1200 mm • Depth 210 mm
	H-beams <ul style="list-style-type: none"> • Min. size H180
	Tubes <ul style="list-style-type: none"> • Tubular pile Ø90 - Ø457 mm
Pile length / weight 6m / 1,200kg, 8m / 1,000kg, 10m / 900kg	